



## Angle Bracket



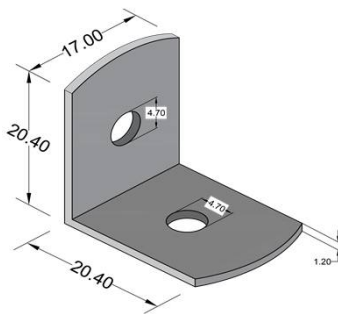
Part Number AB2020

### Application

Suitable for use for the suspension of lightweight ceilings and services

### Specifications

Mild Steel  
Zinc plated and clear passivated



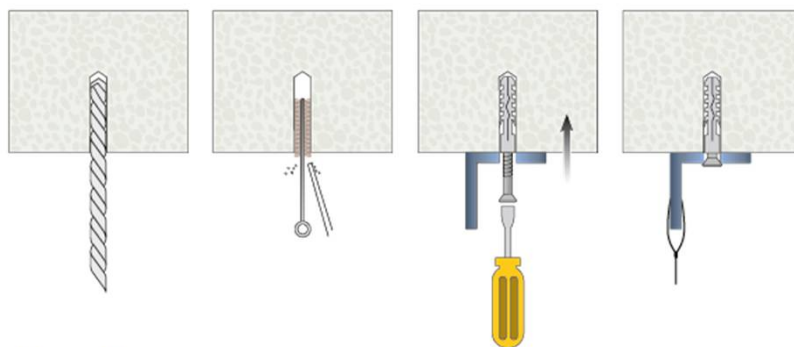
### Benefits

- ◇ Small and lightweight
- ◇ Simple installation
- ◇ Can be attached to any base material
- ◇ Flexible positioning

### Range

Code	Size	Height	Length	Width	Thickness	Hole Diameters	Rec. Vertical Load kN	Quantity per Box
	mm	mm	mm	mm	mm	mm		
AB2020	20x20x17	20	20	17	1.2	2 x 4.7	0.20	100

Load may be subject to the type of screw and plug used



### Instructions for use

1. Drill 6.0mm diameter hole x 35mm deep
2. Clean hole by brushing and blowing
3. Insert NP06 Nylon plug into the hole
4. Secure the fixing with 4mm woodscrew
5. Attached suspension wire