

INFORMATION

The Metalfix self-drilling screws are externally threaded fasteners with the ability to drill their own hole and form or cut their own internal mating threads suitable for fixing steel to steel. They come with EPDM washers to prevent water ingress.

The light and heavy sections are designed for thin and thick metal sections respectively.

BASE MATERIAL

- 1.2-3.0mm steel (light section)
- 3.0-12.5mm steel (heavy section)

FEATURES

- For Fixing Steel To Steel
- Hexagon Head
- DIN 7504K
- C1022 Steel Case Hardened
- Reaction To Fire Class A1
- Zinc Plated Minimum 8µm

RELATED PRODUCTS



MF516

Magnetic Socket



MFW16

MFW19

Loose EPDM Washers (16 or 19mm)



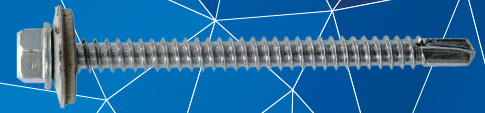
Coloured Cover Caps

RANGE AND LOAD DATA

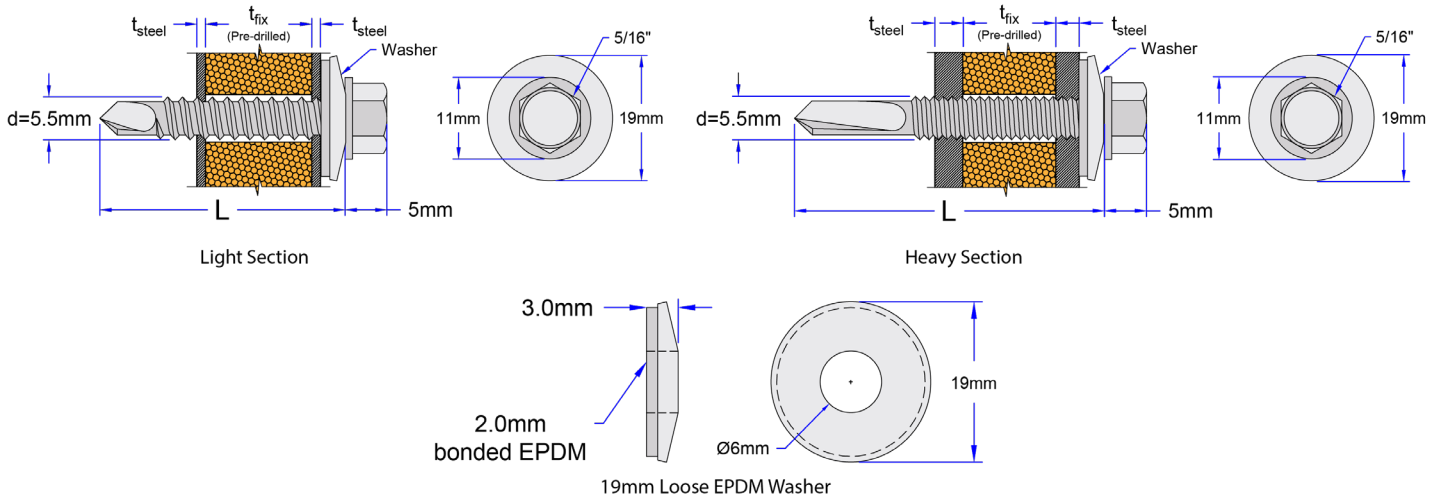
RANGE DATA

Part Number	Thread Diam	Length	Thread Length	Fixture Clearance Hole	Point Type	Steel Thickness	Max Fixture Thickness	Width Across Flats	Recommended Drill Speed	Head Thickness	Washer Outer diameter
	(d)	(L)	(L _{th})	(d _f)	-	(t _{steel})	(t _{fix})	(A/F)	-	(t _{head})	d ₂
	mm	mm	mm	mm	mm	mm	mm	in (mm)	RPM	mm	mm
Light Section											
MFL55025W19	5.5	25	18	> 5.5mm	3	1.2-3.0	7	5/16" (8)	1000-1800	5	11
MFL55032W19	5.5	32	25		3	1.2-3.0	14				
MFL55038W19	5.5	38	31		3	1.2-3.0	20				
MFL55050W19	5.5	50	43		3	1.2-3.0	32				
MFL55075W19	5.5	75	68		3	1.2-3.0	57				
Heavy Section											
MFH55022W19	5.5	22	10	> 5.5	4	3.0-6.0	2	5/16" (8)	2000-2200	5	11
MFH55032W19	5.5	32	17		5	4.0-12.5	2				
MFH55040W19	5.5	40	25		5	4.0-12.5	10				
MFH55050W19	5.5	50	35		5	4.0-12.5	20				
MFH55060W19	5.5	60	45		5	4.0-12.5	30				
MFH55070W19	5.5	70	55		5	4.0-12.5	40				
MFH55080W19	5.5	80	65		5	4.0-12.5	50				
MFH55100W19	5.5	100	85		5	4.0-12.5	70				
MFH55120W19	5.5	120	105		5	4.0-12.5	90				





RANGE AND LOAD DATA

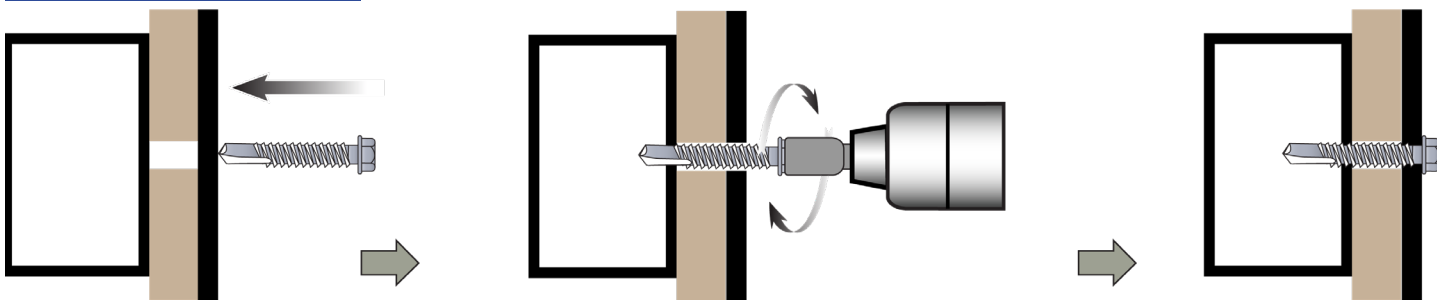


Performance Data

Diameter	Point Type	Steel Thickness								
		t_{steel}								
mm	-	mm								
		1.2	1.4	1.8	2.0	2.5	3.0	4.0	5.0	≥6.0
Recommended Tensile Resistance (N_{Rec})										
kN										
5.5	3	0.76	1.00	1.28	1.56	2.41	2.90	-	-	-
	4	-	-	-	-	-	2.00	2.10	4.00	5.00
	5	-	-	-	-	-	-	2.30	5.50	5.90
Recommended Shear Resistance (V_{Rec})										
kN										
5.5	3	2.00	2.20	2.41	2.82	2.85	2.85	-	-	-
	4	-	-	-	-	-	2.85	2.85	2.85	2.85
	5	-	-	-	-	-	-	3.90	3.90	3.90

* All loads are Recommended Loads and include an appropriate factor of safety.

INSTALLATION INSTRUCTIONS

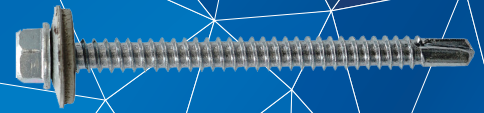


-Pre drill the fixture if it is necessary

-Connect the magnetic socket to a screw gun with a depth sensitive nose-piece and adjust the drill speed according to the data provided. Do not use any tools that generate high torque values (e.g. impact drivers)

-Fastener should penetrate the steel by three screw threads





SUPPLEMENTARY DATA

COLOURED COVER CAPS			
Part Number		Colour	
For 16mm Washer	For 19mm Washer		
MFC16AN	MFC19AN	Anthracite (18A14)	
MFC16BL	MFC19BL	Black (00E53)	
MFC16GG	MFC19GG	Goosewing Light Grey (10A05)	
MFC16JG	MFC19JG	Juniper Green (12B29)	
MFC16MG	MFC19MG	Merlin Dark Grey (18B25)	
MFC16MO	MFC19MO	Moorland Green (12B21)	
MFC16MU	MFC19MU	Mushroom (10B19)	
MFC16OB	MFC19OB	Ocean Blue (18C39)	
MFC16OG	MFC19OG	Olive Green (12B27)	
MFC16PR	MFC19PR	Poppy Red (04E53)	
MFC16SB	MFC19SB	Slate Blue (18B29)	
MFC16SG	MFC19SG	Slate Grey (18B27)	
MFC16VB	MFC19VB	Vandyke Brown (08B29)	
MFC16WH	MFC19WH	White (00E55)	

